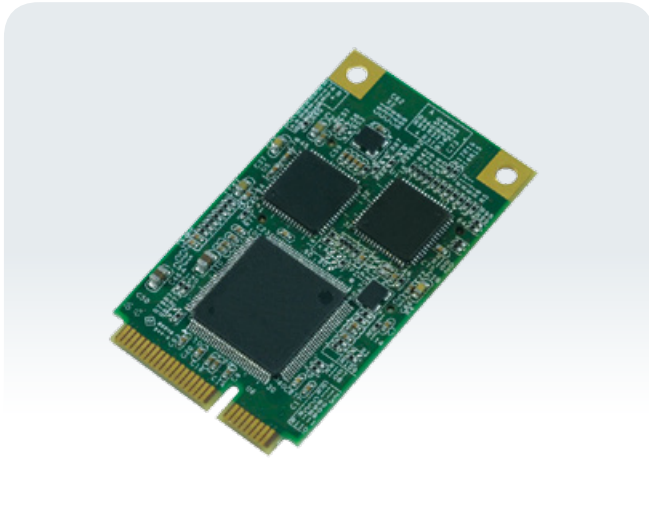


LMX-200

Intel® I210 Mini PCIe 2-port Gigabit LAN Card, dual 10/100/1000 BASE-T, IEEE 802.3, IEEE 802.3u, IEEE 802.3ab Compliant



Features

- -40°C to 85°C Operating Temperature
- 9.5KB Jumbo Frame, Link Aggregation
- Teaming Functions
- IEEE 1588 Precision Time Protocol (PTP)
- IEEE 802.3, 802.3u and 802.3ab compliant
- Supports IEEE 802.3x Full Duplex Flow control
- Supports IEEE 802.1P Layer 2 Priority Encoding
- Supports IEEE 802.1Q VLAN Tagging
- Crossover Detection and Auto Correction Operation

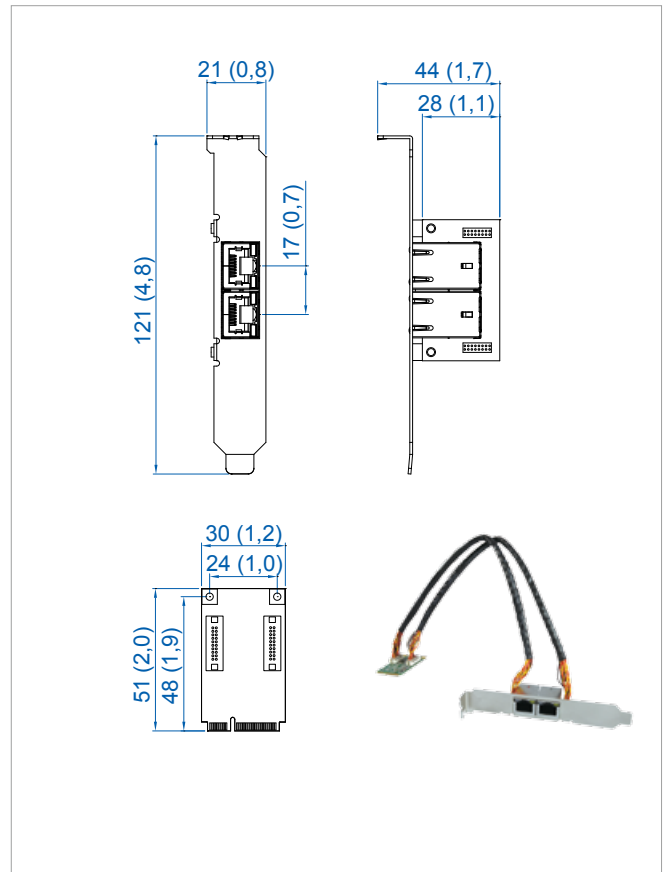


Specifications

| Ethernet | |
|--|--|
| Interface | PCI Express x1 |
| Chipset | 2 Intel® I210 Gigabit LAN |
| Data Rate | 10/100/1000 Mbps |
| Number of Port | 2 |
| Jumbo Frame | 9.5KB supported |
| Link Aggregation (LAG) | Present |
| Connector | 8-pin RJ45 |
| Mechanical | |
| Dimensions (W x L) | Mini Card : 30mm x 51mm Daughter Card : 50.5mm x 27.7mm Cable Length : 300mm |
| Weight | 145 g |
| Environment | |
| Operating Temperature | -40°C to 85°C (-40°F to 185°F) |
| Storage Temperature | -40°C to 85°C (-40°F to 185°F) |
| Humidity | 5% to 95% Humidity, non-condensing |
| Relative Humidity | 95% @ 70°C |
| EMC | CE, FCC |
| Packing List | |
| 1 LMX-200 Mini PCIe LAN Card 1 RJ45 Connector Card 1 Connection Cable 1 Driver CD 1 Screw Kit 1 Bracket | |

Dimensions

Unit : mm/ inch



Order Information

| | |
|---------|---|
| LMX-200 | Intel® I210 Mini PCIe 2-port Gigabit LAN Card |
|---------|---|